

# Type 096980

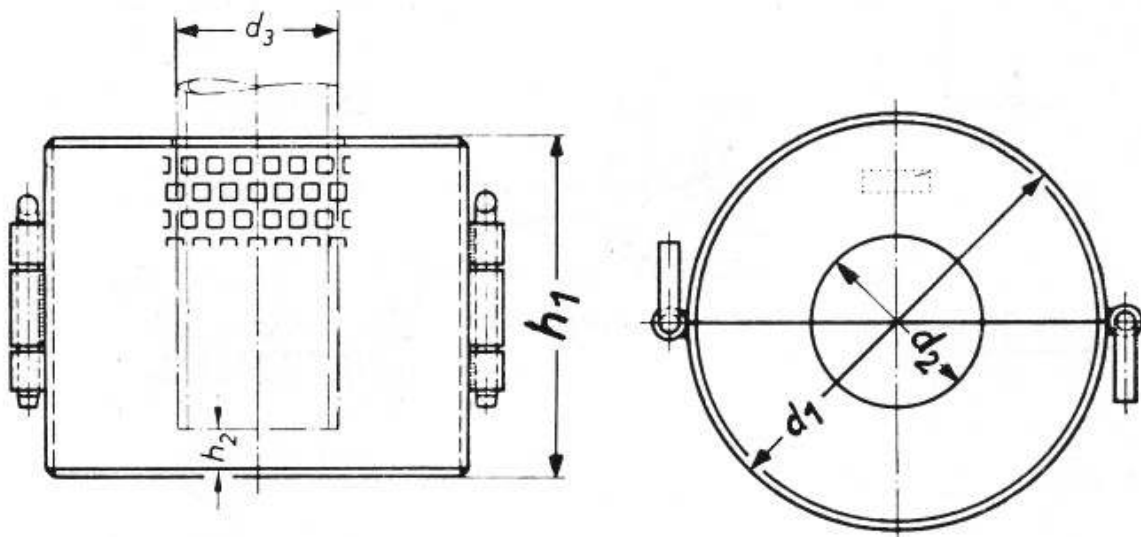
# Type 096981

Armaturen für Schiffbau und Industrie  
Valves for shipbuilding and industry



Saugkörbe aus Nirostahl 1.4301  
mit 5 mm Quadratlochung  
Type 096980: Standard nach DIN 87160  
Type 096981: schmale Ausführung

suction strainer in stainless steel 1.4301  
with 5 mm square perforation  
type 096980: standard acc. to DIN 87160  
type 096981: narrow execution



Type 096980/096981

**Type 096980 nach DIN 87160 / type 096980 acc. to DIN 87160:**

NW/DN	d1	d2	d3	h1	h2	KG
040	125	48	44,5	98,0	12	1,5
050	150	60	57,0	123,0	15	2,0
065	200	80	76,0	160,5	22	3,0
080	225	94	89,0	200,0	24	5,0
100	275	114	108,0	237,5	30	7,0
125	340	138	133,0	300,0	38	10
150	400	165	159,0	363,5	45	13

**Type 096981, schmale Ausführung / type 096981, narrow execution:**

NW/DN	d1	d2	d3	h1	h2	KG
040	140	48	44,5	160	12	1,5
050	140	60	57,0	160	15	2,0
065	140	80	76,0	160	22	3,0
080	140	94	89,0	160	24	5,0
100	200	114	108,0	220	30	7,0
125	200	138	133,0	220	38	10
150	200	165	159,0	220	45	13