

Type 062161

Armaturen für Schiffbau und Industrie
Valves for shipbuilding and industry



Muffenkugelhähne PN 63
2-teilige Ausführung
aus Edelstahl 1.4408
mit PTFE-Dichtung
mit vollem Durchgang
Innengewinde nach ISO 228/1

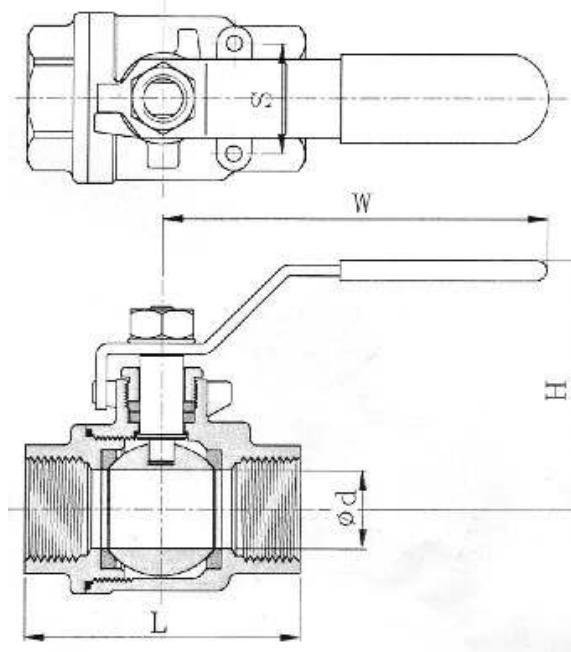
Materialspezifikation:

| | | |
|------------|-------------------------|--------|
| Gehäuse: | GX5CrNiMo19-11-2 | 1.4408 |
| Kugel: | GX5CrNiMo19-11-2 | 1.4408 |
| Dichtung: | PTFE | PTFE |
| Handhebel: | X5CrNi18-10 | 1.4301 |
| | (mit Kunststoffüberzug) | |

ball valves PN 63
2-pce body
stainless steel 1.4408
with PTFE-sealing
with full bore
female screwed thread acc. to ISO 228/1

material specification:

| | | |
|----------|-----------------------|--------|
| body: | GX5CrNiMo19-11-2 | 1.4408 |
| ball: | GX5CrNiMo19-11-2 | 1.4408 |
| sealing: | PTFE | PTFE |
| handle: | X5CrNi18-10 | 1.4301 |
| | (with plastic sleeve) | |



Type 062161

| NW/DN | Ød | L | H | W | S | KG |
|----------|----|-----|-----|-----|------|------|
| G 1/4" | 11 | 51 | 50 | 96 | 28,5 | 0,26 |
| G 3/8" | 12 | 51 | 50 | 96 | 28,5 | 0,26 |
| G 1/2" | 15 | 58 | 57 | 96 | 28,5 | 0,31 |
| G 3/4" | 20 | 66 | 67 | 125 | 28,5 | 0,46 |
| G 1" | 25 | 79 | 75 | 150 | 35,0 | 0,77 |
| G 1 1/4" | 32 | 90 | 83 | 150 | 38,1 | 1,12 |
| G 1 1/2" | 38 | 105 | 93 | 197 | 38,1 | 1,74 |
| G 2" | 50 | 124 | 108 | 197 | 38,1 | 2,65 |
| G 2 1/2" | 63 | 147 | 143 | 240 | 50,0 | 5,37 |
| G 3" | 76 | 169 | 159 | 240 | 56,0 | 7,43 |