

Type 012060

Type 012160

Armaturen für Schiffbau und Industrie
Valves for shipbuilding and industry



Feuerlöschventile DIN 86211, PN 16
in Durchgangs- oder Eckform
aus Rotguss CC491K
Eintritt: Flanschanschluss DIN PN 16
Austritt: BSP-Aussengewinde, bzw.
mit Fest- und Blindkupplung, System Storz
(andere Systeme auf Anfrage möglich)

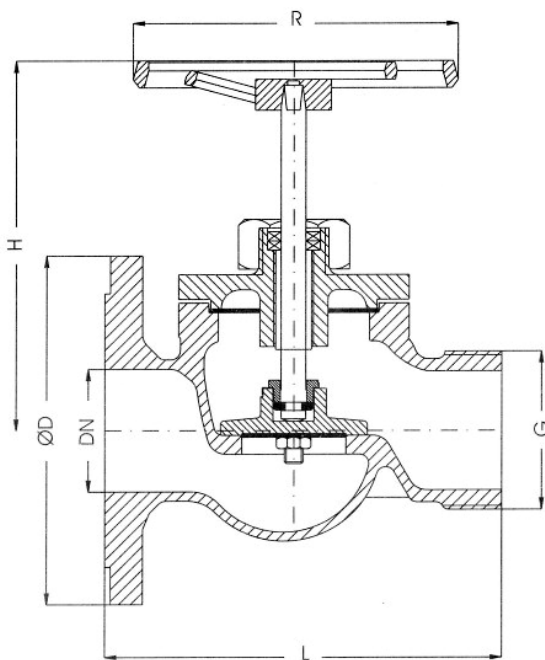
fire and deck wash valves DIN 86211, PN 16
straight type or angle type
bronze CC491K
inlet: with flange DIN PN 16
outlet: with male thread BSP, or complete
with Storz-couplings, brass
(other couplings systems possible on request)

Materialspezifikation:

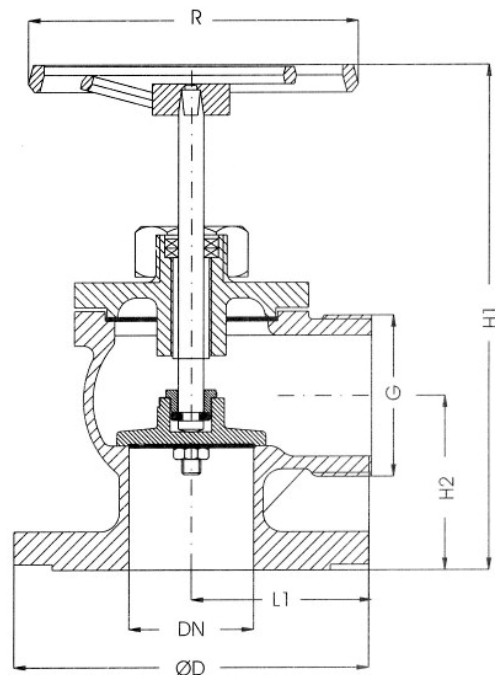
| | | |
|-------------|------------------|--------|
| Gehäuse: | CuSn5Zn5Pb5-C | CC491K |
| Oberteil: | CuSn5Zn5Pb5-C | CC491K |
| Spindel: | CuZn35Ni3Mn2AlPb | CW710R |
| Kegel: | CuZn35Ni3Mn2AlPb | CW710R |
| | /EPDM | |
| Kupplungen: | CuZn39Pb2 | CW612N |

material specification:

| | | |
|------------|------------------|--------|
| body: | CuSn5Zn5Pb5-C | CC491K |
| bonnet: | CuSn5Zn5Pb5-C | CC491K |
| stem: | CuZn35Ni3Mn2AlPb | CW710R |
| disc: | CuZn35Ni3Mn2AlPb | CW710R |
| | /EPDM | |
| couplings: | CuZn39Pb2 | CW612N |



Type 012060



Type 012160

| NW/DN | L | L1 | D | PCD | Holes | H | H1 | R | KG | KG |
|-------|-----|-----|-----|-----|--------|-----|-----|-----|--------|--------|
| | | | | | | | | | 012060 | 012160 |
| 40 | 150 | 65 | 150 | 110 | 4 x 18 | 160 | 140 | 140 | 5,0 | 5,0 |
| 50 | 167 | 72 | 165 | 125 | 4 x 18 | 165 | 140 | 140 | 6,5 | 5,7 |
| 65 | 200 | 100 | 185 | 145 | 4 x 18 | 180 | 160 | 150 | 12,0 | 11,5 |