

Type 069950
Type 069980
Type 069951
Type 069981



Wassersackrohre, PN 200
 nach DIN 16282
 Eintritt: Zapfen G 1/2"
 Austritt: Spannmuffe G 1/2"

water tubes, PN 200
 acc. to DIN 16282
 inlet: male thread G 1/2"
 outlet: clamping socket G 1/2"

Materialspezifikation:

Type 069950:

Form "A", U-Form

Material: Edelstahl 1.4571

Type 069980:

Form "A", U-Form

Material: Stahl ST 35.4

Type 069951:

Form "C", Kreisform

Material: Edelstahl 1.4571

Type 069981:

Form "C", Kreisform

Material: Stahl ST 35.4

material specification:

type 069950:

form "A", U-type

material: stainless steel 1.4571

type 069980:

form "A", U-type

material: steel ST 35.4

type 069951:

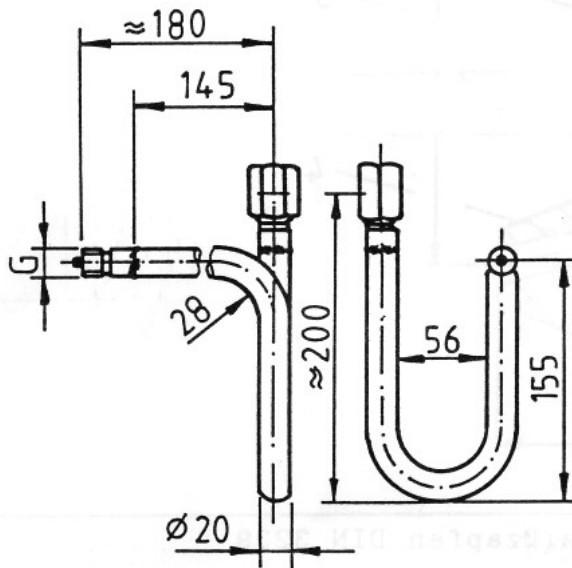
form "C", circle type

material: stainless steel 1.4571

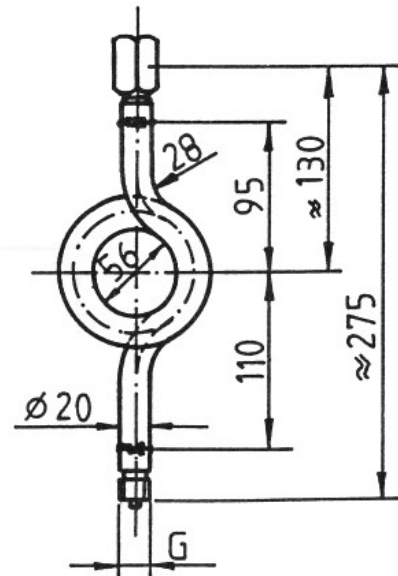
type 069981:

form "C", circle type

material: steel ST 35.4



Type 069950/069980



Type 069951/069981