

Type 045030

Armaturen für Schiffbau und Industrie
Valves for shipbuilding and industry



Rückschlagventile in Durchgangsform, PN 40
DIN 86253-01
aus Stahlguss 1.0619+N, Innenteile Nirostahl
mit innenliegender Schliessfeder
Baulänge nach DIN 3202/EN 558 F1
Flansche nach DIN PN 40
Zulässige Betriebsdrücke und
Temperaturen nach DIN 2401

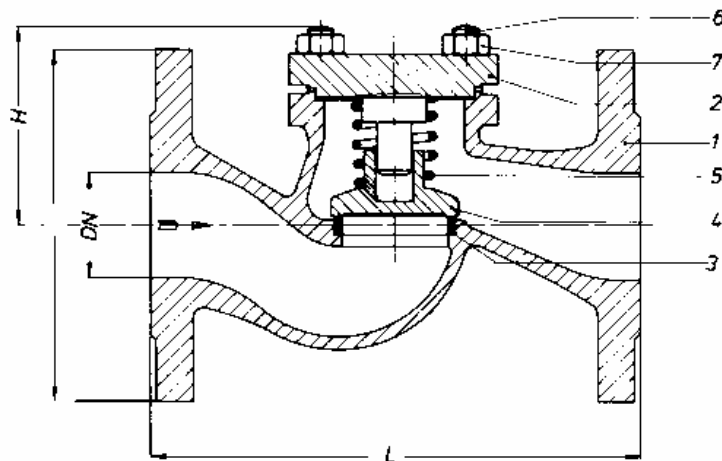
check-valves, straight type, PN 40
DIN 86253-01
cast steel 1.0619+N, inner parts stainless steel
with inside spring
face to face acc. to DIN 3202/EN 558 F1
flanges acc. to DIN PN 40
working pressure and
temperature acc. to DIN 2401

Materialspezifikation:

| | | |
|----------|------------|-----------|
| Gehäuse: | GP240GH+N | 1.0619+N |
| Deckel: | GP240GH+N | 1.0619+N |
| Sitz: | X20Cr13+QT | 1.4021+QT |
| Kegel: | X20Cr13+QT | 1.4021+QT |

material specification:

| | | |
|---------|------------|-----------|
| body: | GP240GH+N | 1.0619+N |
| bonnet: | GP240GH+N | 1.0619+N |
| seat: | X20Cr13+QT | 1.4021+QT |
| disc: | X20Cr13+QT | 1.4021+QT |



Type 045030

| NW/DN | L | D | PCD | Holes | H | KG |
|-------|-----|-----|-----|---------|-----|-----|
| 15 | 130 | 95 | 65 | 4 x 14 | 80 | 3,0 |
| 20 | 150 | 105 | 75 | 4 x 14 | 83 | 4,0 |
| 25 | 160 | 115 | 85 | 4 x 14 | 89 | 5,0 |
| 32 | 180 | 140 | 100 | 4 x 18 | 85 | 6,5 |
| 40 | 200 | 150 | 110 | 4 x 18 | 105 | 8,5 |
| 50 | 230 | 165 | 125 | 4 x 18 | 105 | 12 |
| 65 | 290 | 185 | 145 | 8 x 18 | 128 | 18 |
| 80 | 310 | 200 | 160 | 8 x 18 | 140 | 23 |
| 100 | 350 | 235 | 190 | 8 x 22 | 166 | 47 |
| 125 | 400 | 270 | 220 | 8 x 26 | 225 | 66 |
| 150 | 480 | 300 | 250 | 8 x 26 | 240 | 105 |
| 200 | 600 | 375 | 320 | 12 x 30 | 268 | 210 |
| 250 | 730 | 450 | 385 | 12 x 33 | 355 | 230 |

Auf Wunsch andere Flanschbohrungen möglich.
Other flange drillings possible on request.